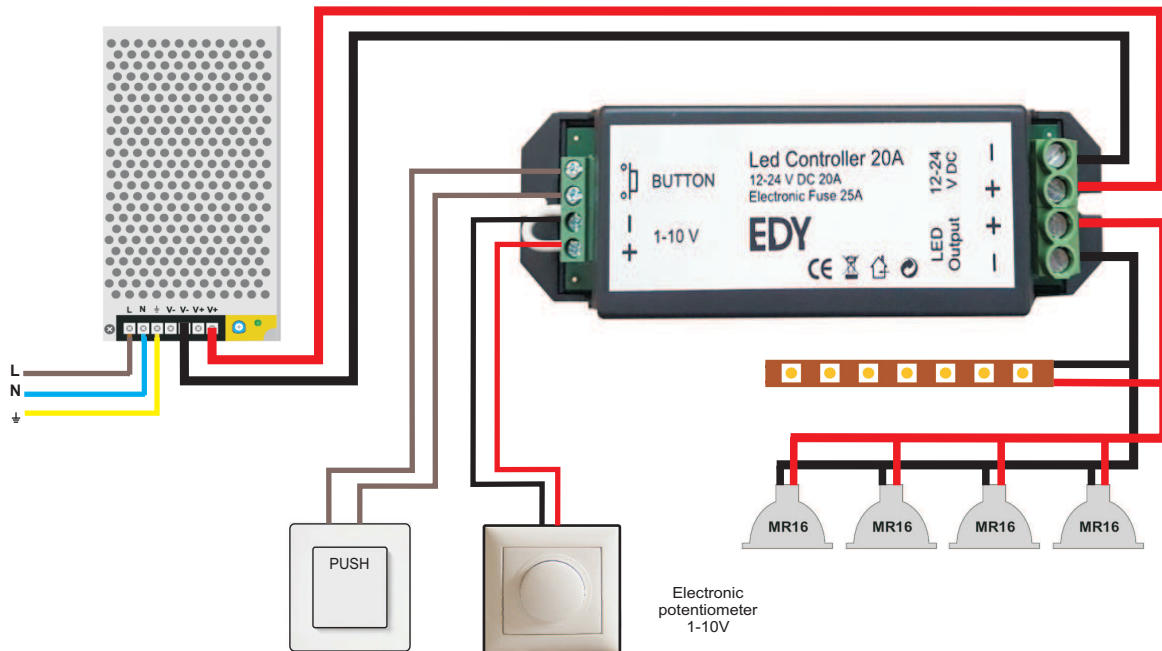


Led Controller 20A

The surface mounting dimmer **Led Controller 20A** is a 12V or 24V DC voltage regulator, specifically designed to fulfill the needs of indoor lighting adjustment, such as controlling low voltage luminaires and LED strips.

The device is manufactured in accordance with Directives 73/23 EEC, 2014/35/EU, 2014/30/EU and EN 60669-1: 2000, EN60669-2-1: 2002.



It is suitable for controlling:

1. Led Lamps 12 or 24 V DC
2. LED strips

Operation

For its handling, the device is provided with:

Input (CONTROL BUTTON) for controlling and adjusting the lighting intensity by one or more parallel connected buttons.

Input (CONTROL 1-10V) for controlling and adjusting the lighting intensity by other digital systems and dimmers that have an 1-10V communication interface.

Operation / adjustment by Button:

Instant pressing of the button, turns the load ON or OFF.

Continuous pressing, increases or decreases the light intensity.

Note: If 1-10V input is not used, do not remove the **short circuit breaker**.

Technical specifications

Operating voltage	12 or 24 V DC
Load	20 A
Protection from short circuit / overload	Electronic protection 25A and thermal protection
Operating temperature	-10 °C to +60 °C
Maximum humidity	95 %
Construction material	ABS
Dimensions	145 mm x 35mm x 30mm



IP 20



Made in **Greece**